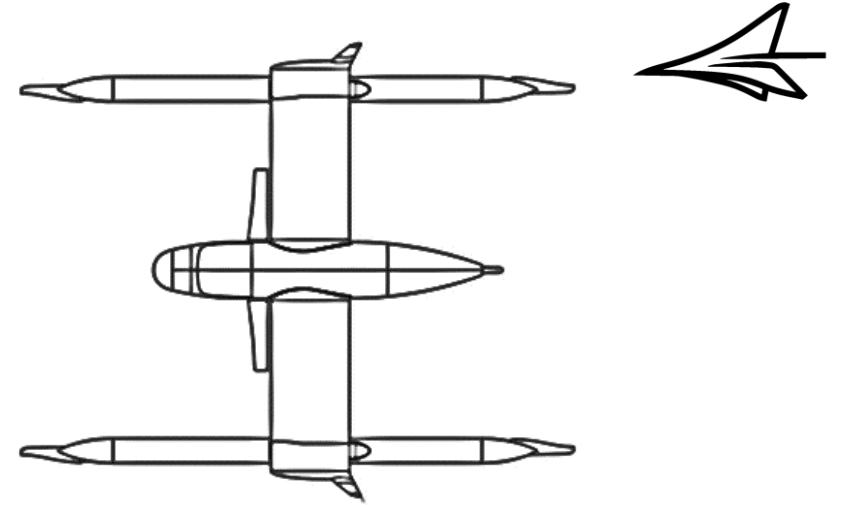
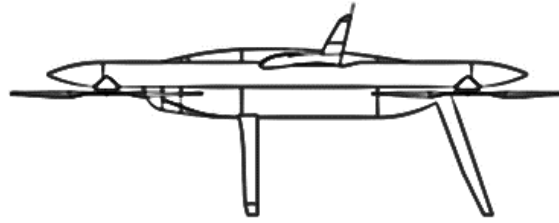
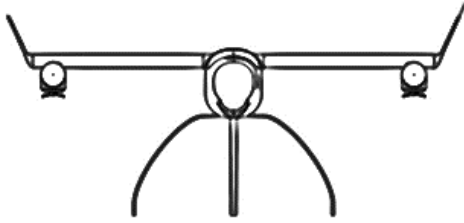


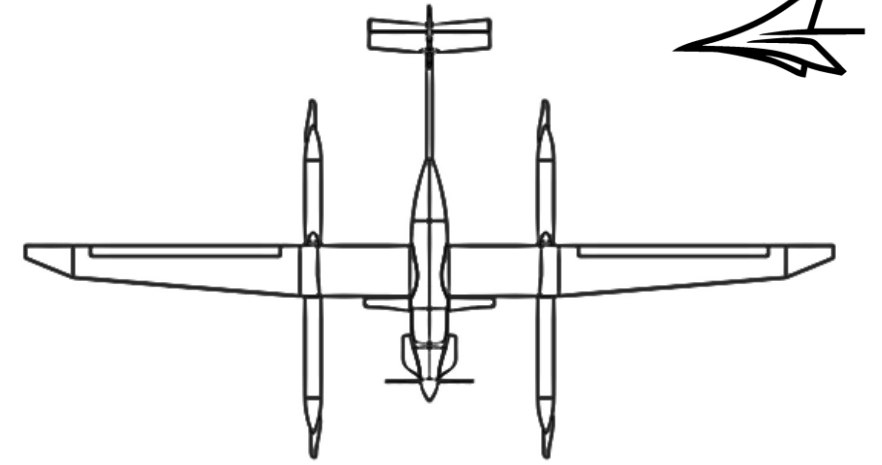
SPECIFICATIONS | RQ-17 ION QUADROTOR



	QUAD1 - STANDARD	QUAD2 - TETHERED	QUAD3 - QUAD FIXED WING
Wingspan	1.85 m	1.85 m	1.85 m
Length	1.7 m	1.7 m	1.7 m
Service Ceiling ¹	120 m (400 ft)		120 m (400 ft)
Cruise Speed	74 km/h (40 kt)	-	74 km/h (40 kt) 74 km/h (40 kt)
Max. Range	16 km (payload 350 g)	3kg	16 km (payload 350 g) 85 km
Max. Endurance	35 min	10 h	35 min 1 h
Max. Payload	3 kg	3 kg	3 kg 3.5 kg
MTOW	17 kg	17 kg	17 kg 24.5 kg

PRELIMINARY DATA THAT MAY CHANGE WITHOUT PREVIOUS NOTICE | ISA STD | 1. typical

SPECIFICATIONS | RQ-17 ION FIXED WING



	F1C F1E - FIXED WING VTOL	F2 - FIXED WING CTOL
Wingspan	4.50 m	4.50 m
Length	2.1 m	2.1 m
Service Ceiling ¹	1000 m (3000 ft)	1000 m (3000 ft)
Cruise Speed	100 km/h (54 kt)	100 km/h (54 kt)
Max. Range ²	350 km (payload 2.5 kg) (C) 85 km (E)	300 km (payload 7 kg) (C)
Max. Endurance	4 h	35 min 1 h
Max. Payload	3 kg	10 kg
MTOW	17 kg	24.5 kg

PRELIMINARY DATA THAT MAY CHANGE WITHOUT PREVIOUS NOTICE | ISA STD | 1. typical | 2. SATCOM link required

VTOL – VERTICAL TAKEOFF AND LANDING | CTOL – CONVENTIONAL TAKEOFF AND LANDING | (C) = COMBUSTION | (E) = ELECTRIC



APPLICATION NOTES

Performance¹

	Employment	Variant	Endurance	Range	Altitude
Cargo	Cargo up to 10 kg	F2C	-	300 km	1000 m
	Cargo up to 3 kg	F1C	-	200 km	1000 m
		QUAD1	-	16 km	120 m
Agri Imaging	Areas up to 8000 ha (3 working days)	QUAD1	25 min	1 km	120 m
	Areas > 8000 ha	F1C	3.8 h	200 km	1300 m
ISR	Strategic	F1C F1E	3.8 h 1h	-	1000 m
	Strategic (portable system or vehicle mounted)	QUAD2	up to 10 h	-	100 m
	Tactical	QUAD1 F1E	25 min 1 h	1 km 50 km	120 m 1000 m
Infra	General Surface Inspections	F1C	3.8 h (fixed wing)	200 km	1000 m
	Vertical Inspections	QUAD1	25 min	1 km	120 m
Com	Temporary Communications	QUAD2	up to 10 h	-	100 m