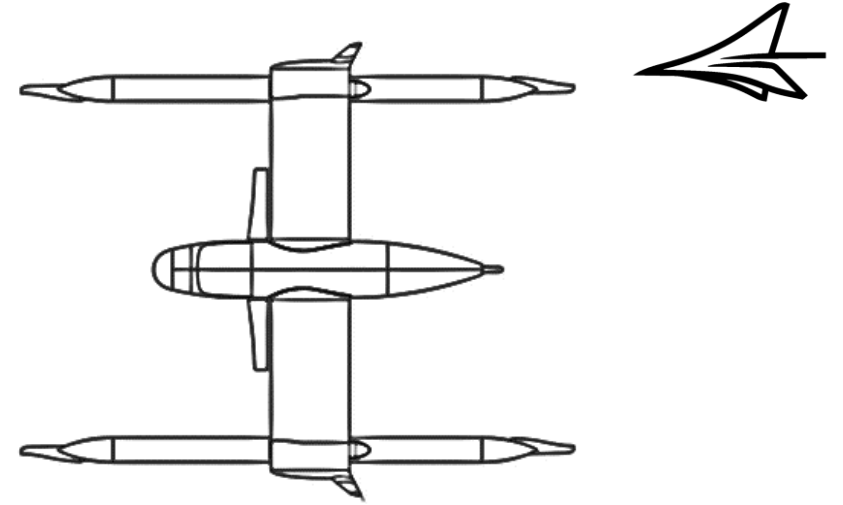
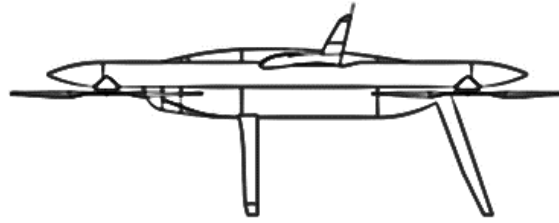
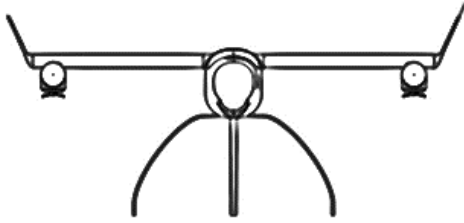


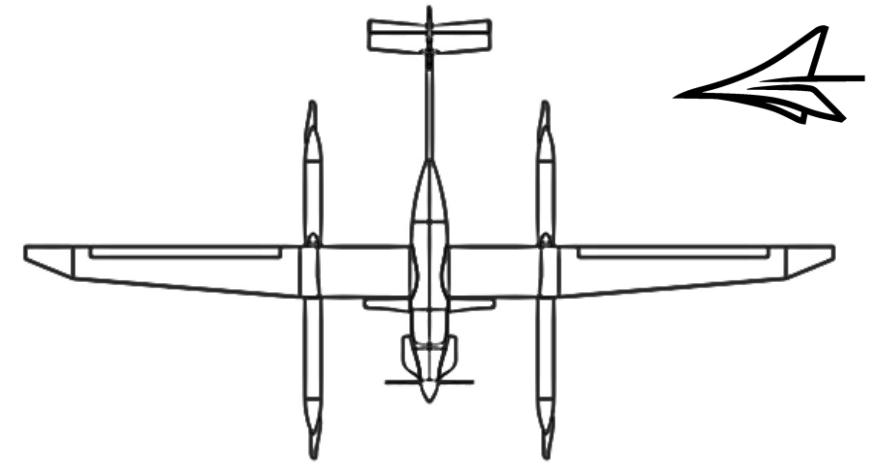
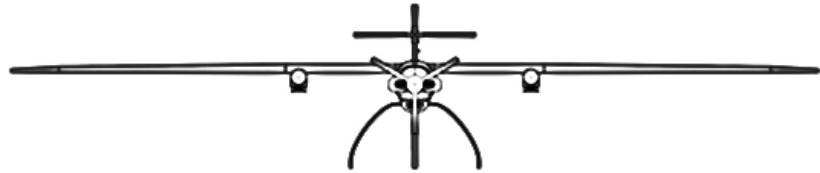
# SPECIFICATIONS | RQ-17 ION MULTIROTOR



	FREE FLIGHT	TETHERED
Wingspan	1.85 m (6 ft)	1.85 m (6 ft)
Lenght	1.7 m (5.6 ft)	1.7 m (5.6 ft)
Service Ceiling <sup>1</sup>	120 m (400 ft)	90 m (295.3 ft)
Cruise Speed	74 km/h (40 kt)	-
Max. Range	8 km (4.3 nm)	-
Max. Endurance	25 min	10 h
Max. Payload	3 kg (6.6 lb)	1.3 kg (2.9 lb)
MTOW	17 kg (37.5 lb)	17 kg (37.5 lb)

PRELIMINARY DATA THAT MAY CHANGE WITHOUT PREVIOUS NOTICE | ISA STD | 1. typical

# SPECIFICATIONS | RQ-17 ION FIXED WING



	FIXED WING VTOL	WING CTOL
Wingspan	4.50 m (14.8 ft)	4.50 m (14.8 ft)
Lenght	2.1 m (7 ft)	2.1 m (7 ft)
Service Ceiling <sup>1</sup>	1000 m (3000 ft)	1000 m (3000 ft)
Cruise Speed	100 km/h (54 kt)	100 km/h (54 kt)
Max. Range <sup>2</sup>	300 km (126 nm) (C)   85 km (46.5 nm) (E)	300 km (126 nm)
Max. Endurance	4 h (C)   1 h (E)	4 h
Max. Payload	3 kg (6.6 lb)	10 kg (22 lb)
MTOW	25 kg (55 lb)	25 kg (55 lb)

PRELIMINARY DATA THAT MAY CHANGE WITHOUT PREVIOUS NOTICE | ISA STD | 1. typical | 2. SATCOM link required

VTOL – VERTICAL TAKEOFF AND LANDING | CTOL – CONVENTIONAL TAKEOFF AND LANDING | (C) = COMBUSTION | (E) = ALL ELECTRIC

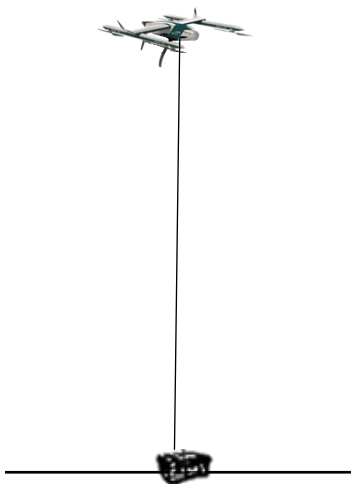




### RQ-17 ION FREE FLIGHT MULTIROTOR

- NUCLEAR, BIOLOGICAL AND CHEMICAL HAZARDS DETECTION
- AREA DECONTAMINATION
- LOCAL AREA SEARCH AND RESCUE (SAR)
- SHORT RANGE CARGO | HUMANITARIAN AID
- SHORT RANGE AIRSURVEY

### RQ-17 ION TETHERED MULTIROTOR



- ROAD TRAFFIC MONITORING
- TEMPORARY COMMUNICATIONS
- PRIVATE & PUBLIC SECURITY
- FOREST FIRE DETECTION AND ALARM



### RQ-17 ION VTOL

- INTELLIGENCE, SURVEILLANCE AND RECONNAISSANCE (ISR)
- LONG RANGE AIRSURVEY
- SURFACE LINEAR INSPECTIONS
- FOREST FIRE DETECTION AND ALARM
- NAVAL MISSIONS



### RQ-17 ION CTOL

IN ADDITION TO THE VTOL MISSIONS, **CTOL** PERFORMS WITH **+ PAYLOAD** THE FOLLOWING

- LONG RANGE CARGO | HUMANITARIAN AID
- EXTENDED AREA SEARCH AND RESCUE (SAR)

APPLICATION NOTES

